

Add: No. CN6, Yuandong Industrial Zone, Yuyao, Zhejiang, China

Tel: 0086-574-62760092 62760098 62760099

Fax: 0086-574-62760097

E-Mail: Jane@fourstarlamps.com Janefsl@163.com

Alice@fourstarlamps.com Alice.3@163.com

<http://www.chinalamp.com>

<http://www.fourstarlamps.com>



★
★
★
★
FOUR STAR LAMPS VERSION A-3

 余姚市四星灯具有限公司
YUYAO FOUR STAR LAMPS CO.,LTD.



Our company has
registered trademarks:

TIHI 霆翰®

花园之星®

WEIKWEI 威克威®

庭院之星®



COMPANY PROFILE

Yuyao Four Star Lamps Co.,Ltd. is a company specializing in the production of outdoor lighting with artwork aluminum die casting, stamping and extrusion of aluminum, copper and stainless steel material.

Our company has the self-management of import and export rights. We have the capacity to complete the whole manufacturing process of lamps. Now there are 12 units of 500 t, 250 t, 160 t die-casting machines etc., 2 powder coating curing and 6 final assembly lines , annual production capacity of aluminum alloy die casting, copper alloy die-casting, zinc alloy die casting hydraulic tensile, spinning forming, cold punching forming of moisture-proof lamps and lanterns, the courtyard lamps, lawn lamps and accessories more than 400 sets.

The company since its establishment, has accumulated rich production experience and technical ability, complete production equipment, exquisite process operation. Our company has the ROHS testing equipment to control production quality, and quality inspector team monitor carefully from the product material, accessories to make sure the high guarantee of quality. Our products have CE/ETL certification and China CCC certification.

Four Star gathered a batch of outstanding talent, strong team ensures Four Star management and the production efficiency.

Four Star insist to protect the intellectual property rights of clients, focus on cooperation with domestic and foreign customers to map, sample products, joint investment, joint development market, with good reputation and sincere service, we have cooperated with the companies from the United States, Germany and Japan who do OEM/ODM for many years.

You are welcome to contact us, become one of our partners.



1901



1902

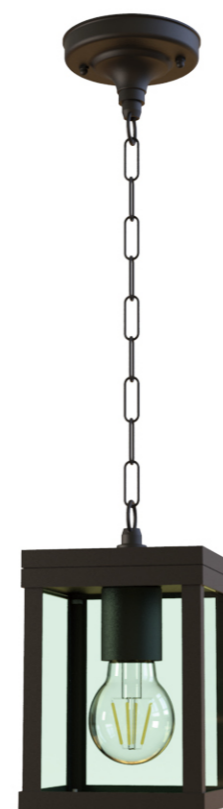
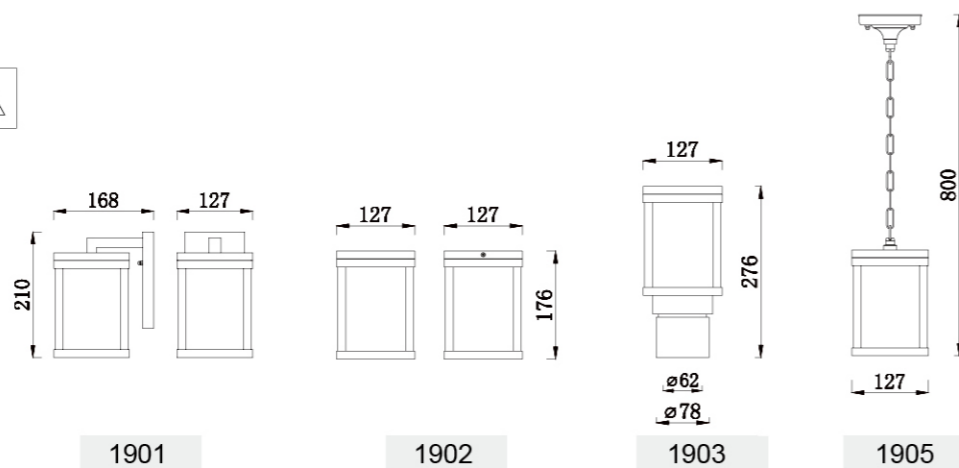
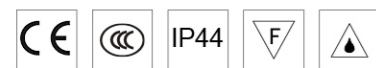


1904

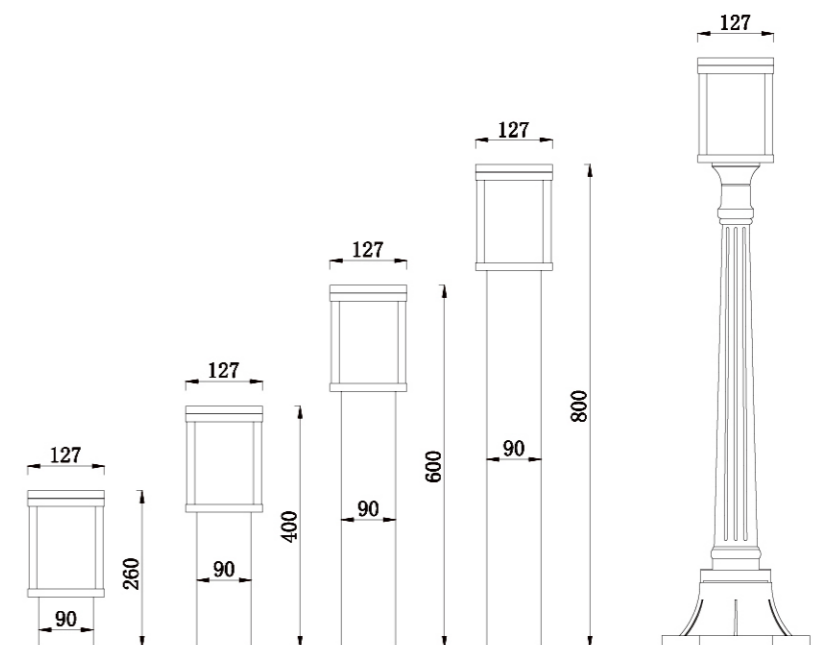
Product feature:

- * Die Cast Aluminum Body
- * UV Resistant Powder Coating
- * Glass diffuser
- * Brass or Stainless Steel Fasten Parts

220V~240V/AC 50Hz
 Max 60W E27



1905



1904

1907



1911



1914



1915



1914A



1917



1913



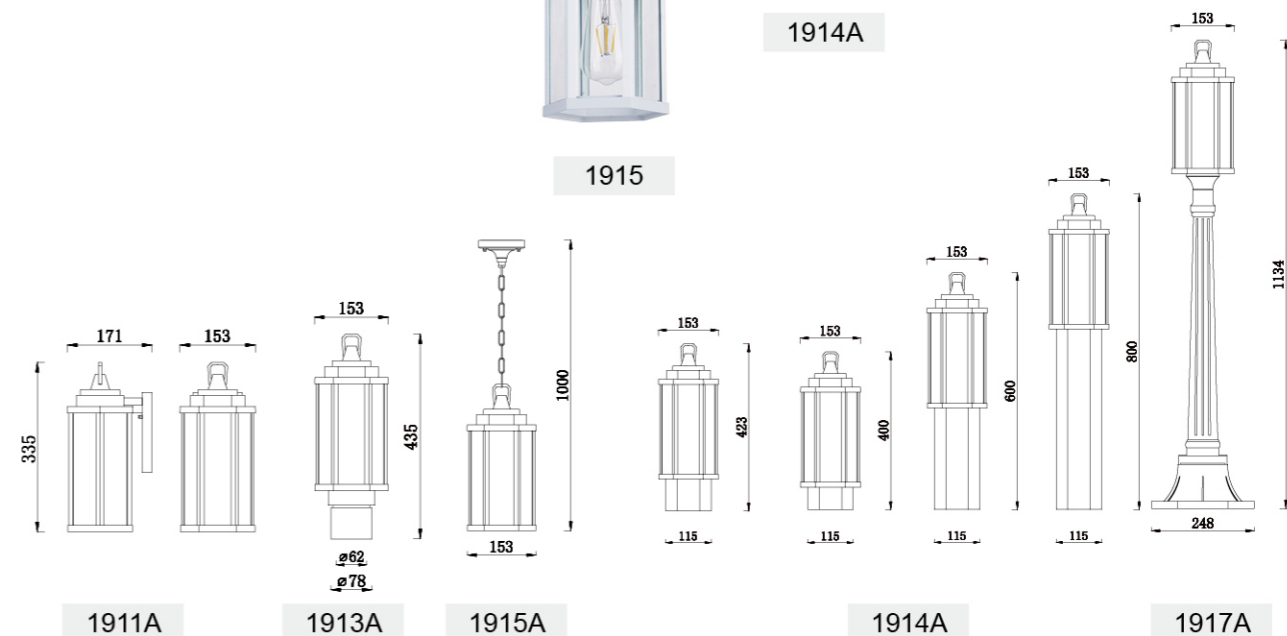
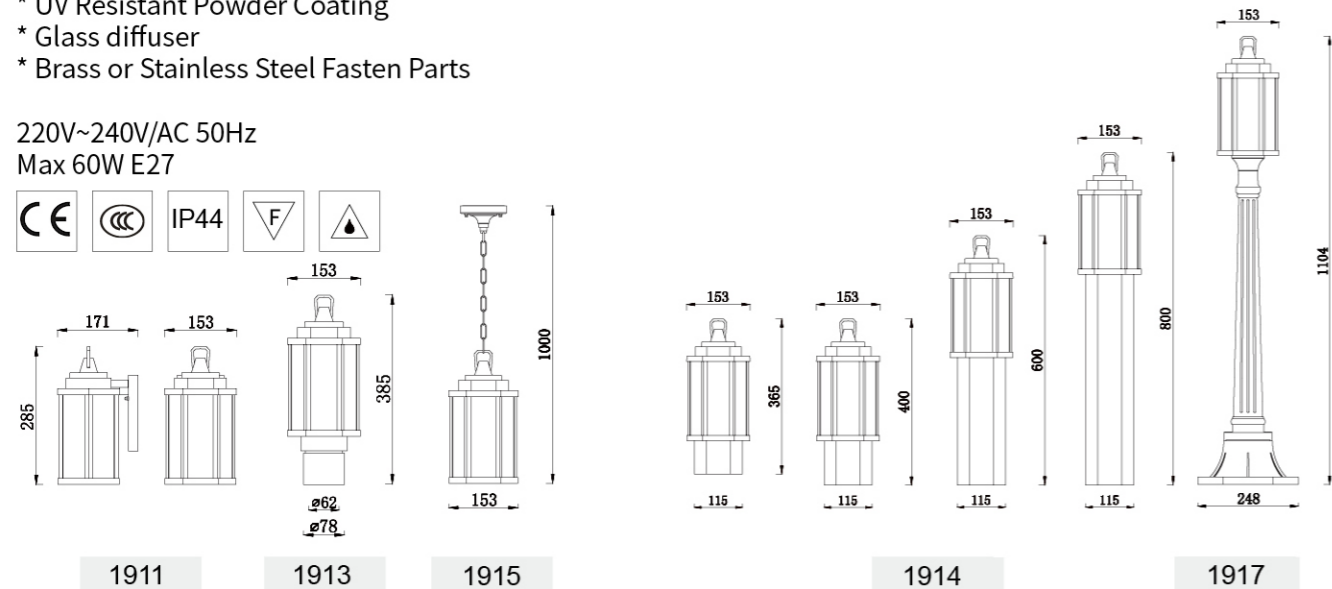
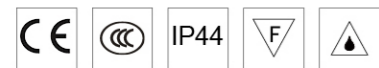
1914

<http://www.chinalamp.com>
<http://www.fourstarlamps.com>

Product feature:

- * Die Cast Aluminum Body
- * UV Resistant Powder Coating
- * Glass diffuser
- * Brass or Stainless Steel Fasten Parts

220V~240V/AC 50Hz
 Max 60W E27





<http://www.chinalamp.com>
<http://www.fourstarlamps.com>



1921



1923



1927



1924A

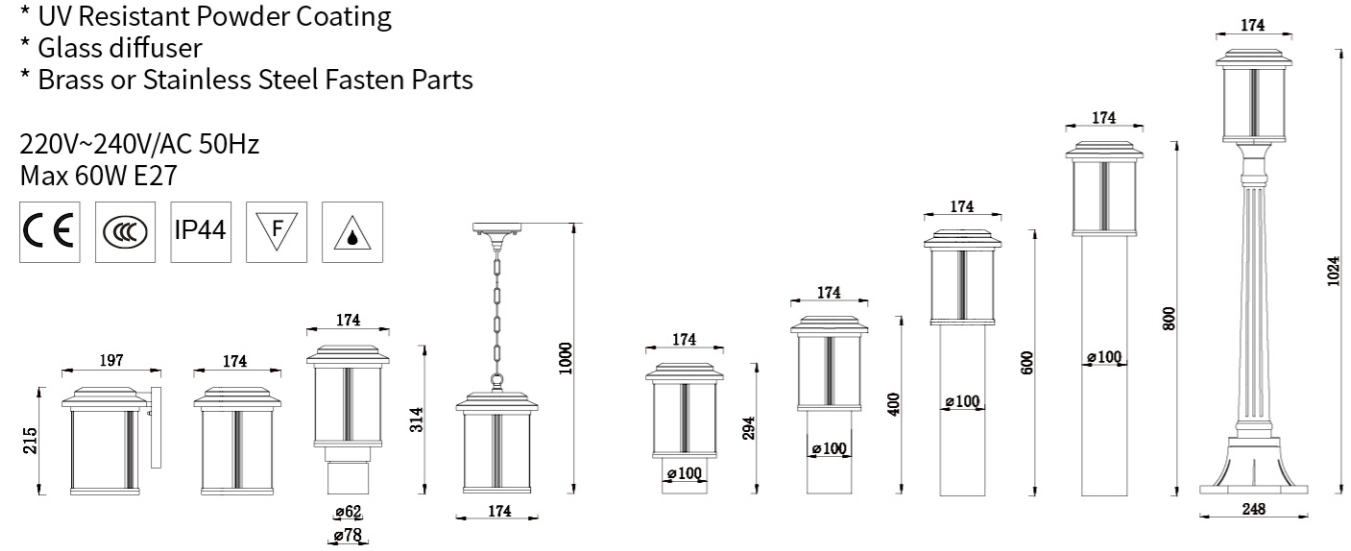
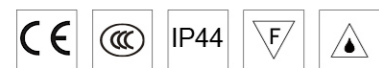


1925

Product feature:

- * Die Cast Aluminum Body
- * UV Resistant Powder Coating
- * Glass diffuser
- * Brass or Stainless Steel Fasten Parts

220V~240V/AC 50Hz
 Max 60W E27



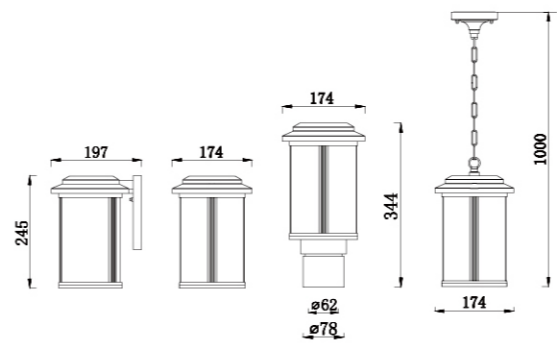
1921

1923

1925

1924

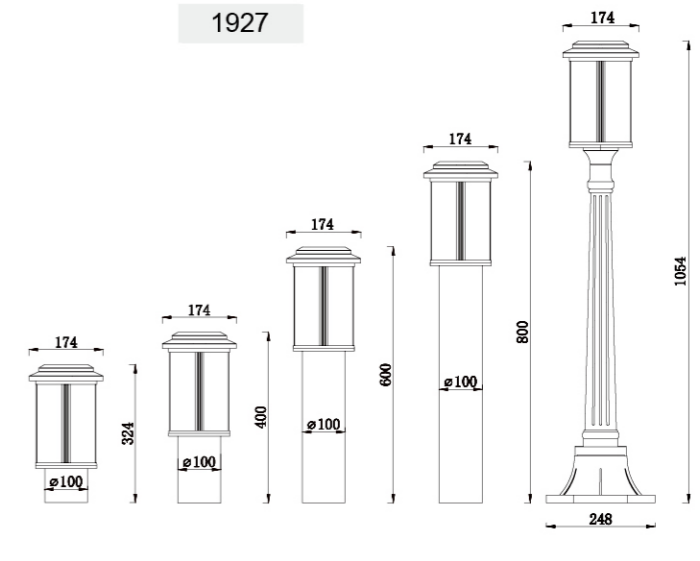
1927



1921A

1923A

1925A



1924A

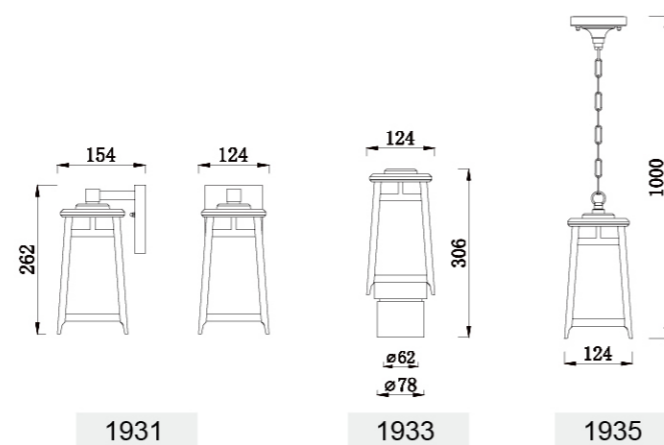
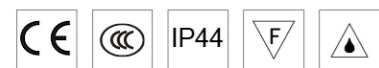
1927A



Product feature:

- * Die Cast Aluminum Body
- * UV Resistant Powder Coating
- * Glass diffuser
- * Brass or Stainless Steel Fasten Parts

220V~240V/AC 50Hz
 Max 60W E27



1931

1933

1935



1931



1933



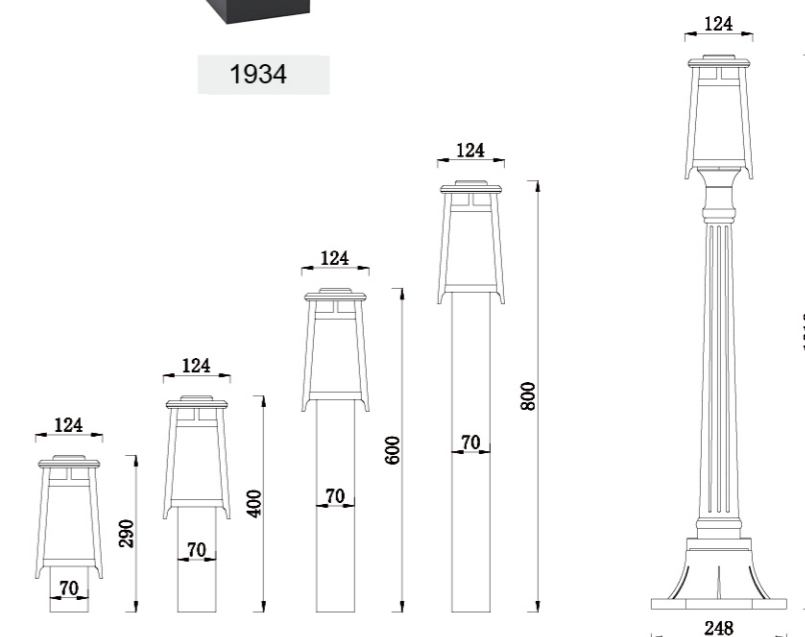
1934



1934

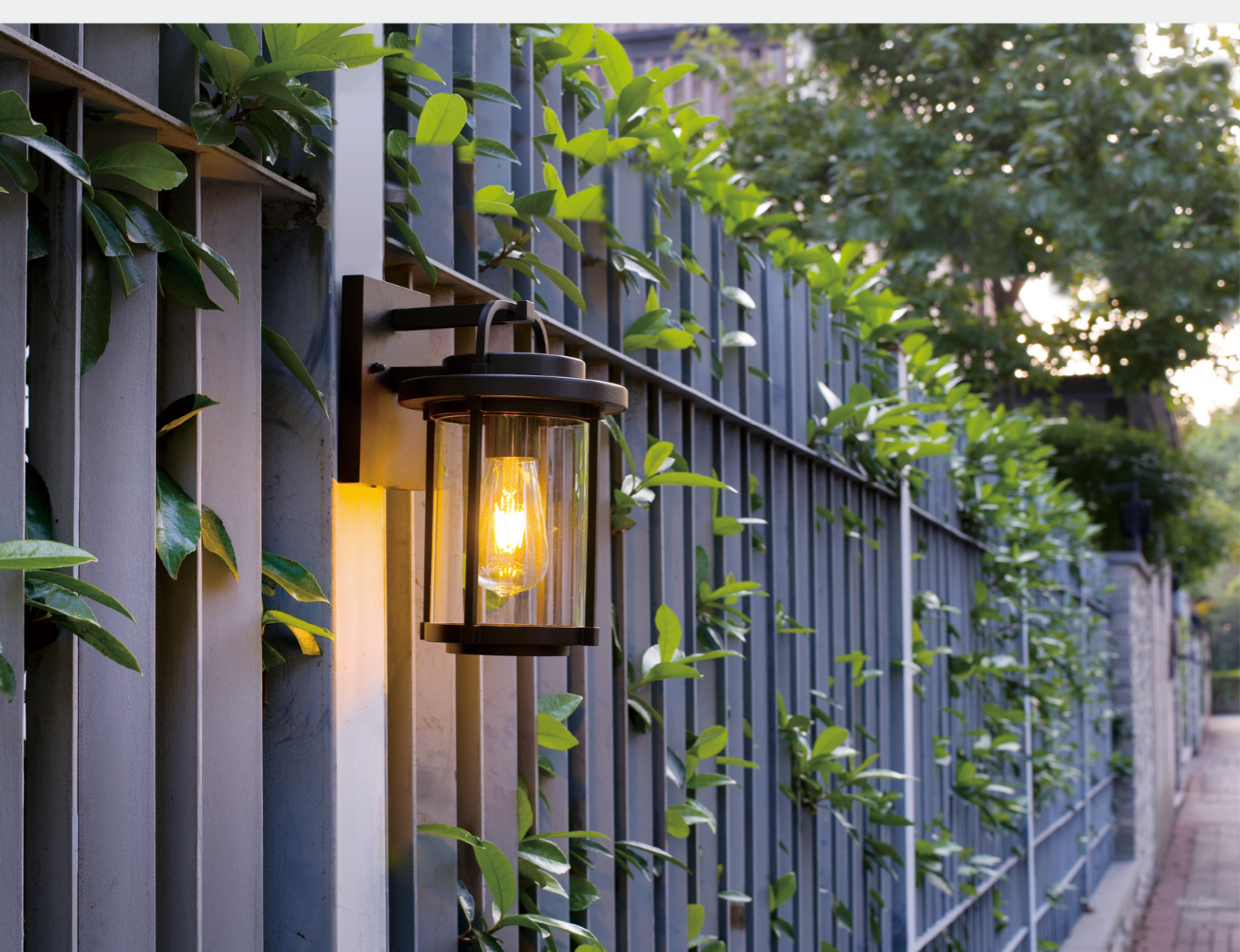


1935



1934

1937



1941A



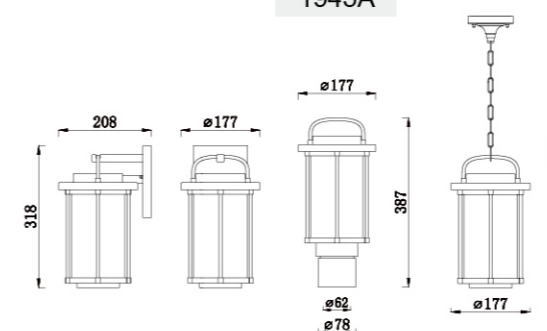
1943A

1947A

1944A



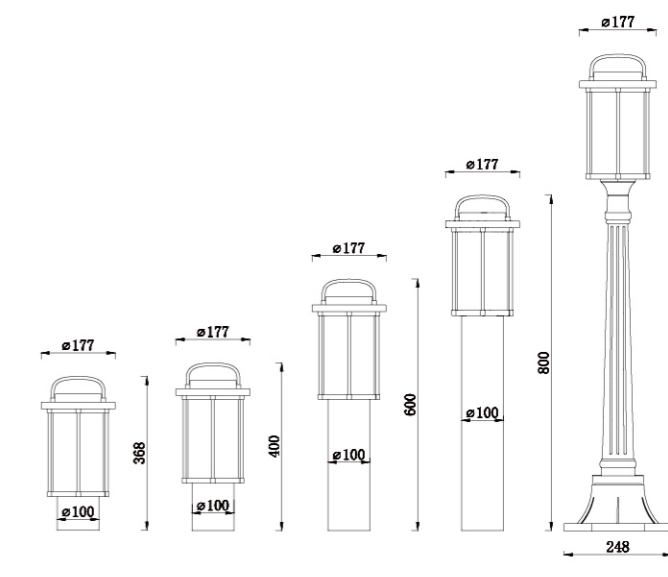
1945A



1941A

1943A

1945A



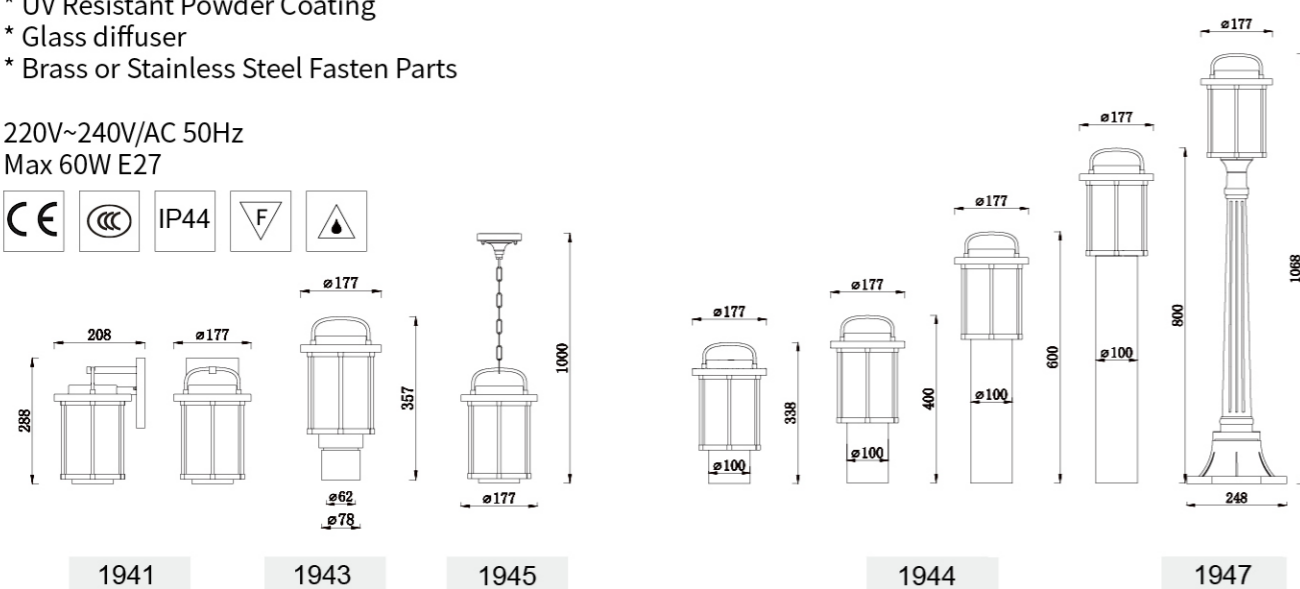
1944A

1947A

Product feature:

- * Die Cast Aluminum Body
- * UV Resistant Powder Coating
- * Glass diffuser
- * Brass or Stainless Steel Fasten Parts

220V~240V/AC 50Hz
 Max 60W E27



1941

1943

1945

1944

1947



1957



1951



1955

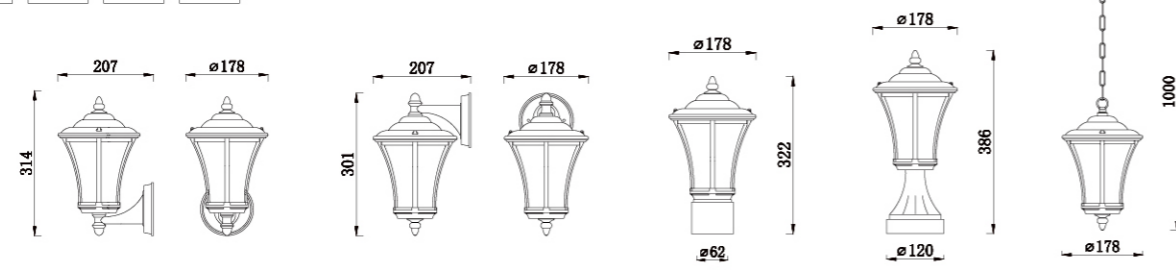
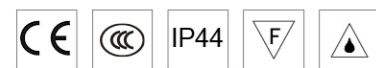


1954

Product feature:

- * Die Cast Aluminum Body
- * UV Resistant Powder Coating
- * Glass diffuser
- * Brass or Stainless Steel Fasten Parts

220V~240V/AC 50Hz
 Max 60W E27



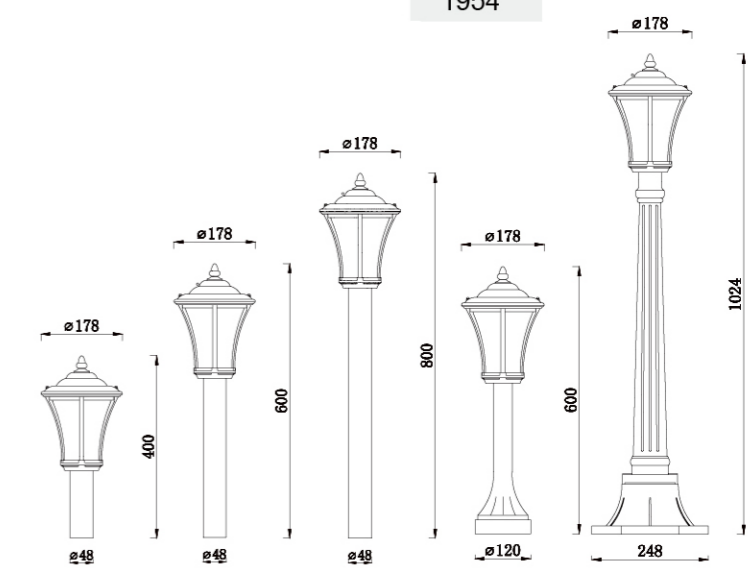
1951

1952

1953

1954

1955



1956

1958

1957



1961A



1961



1963A



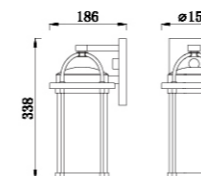
1964A



1967A



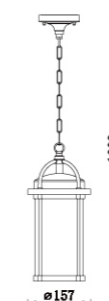
1965



1961A



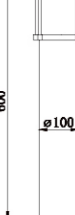
1963A



1965A



1964A

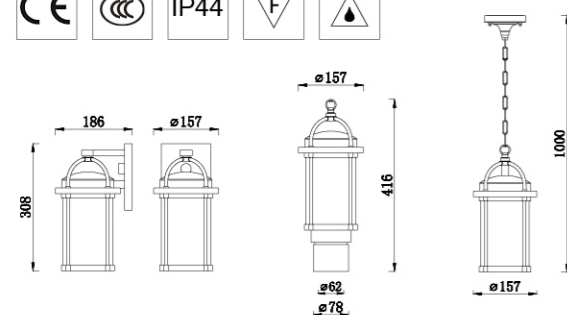
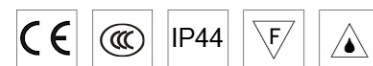


1967A

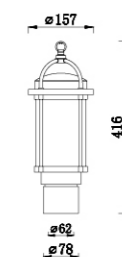
Product feature:

- * Die Cast Aluminum Body
- * UV Resistant Powder Coating
- * Glass diffuser
- * Brass or Stainless Steel Fasten Parts

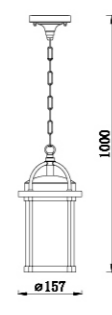
220V~240V/AC 50Hz
 Max 60W E27



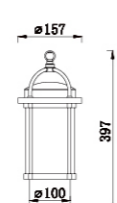
1961



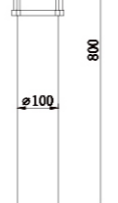
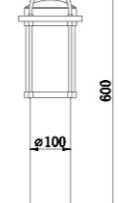
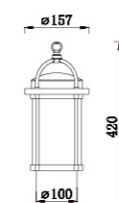
1963



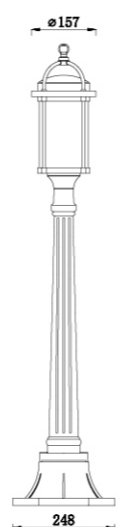
1965



1964



1967





1971



1973



1974



1975

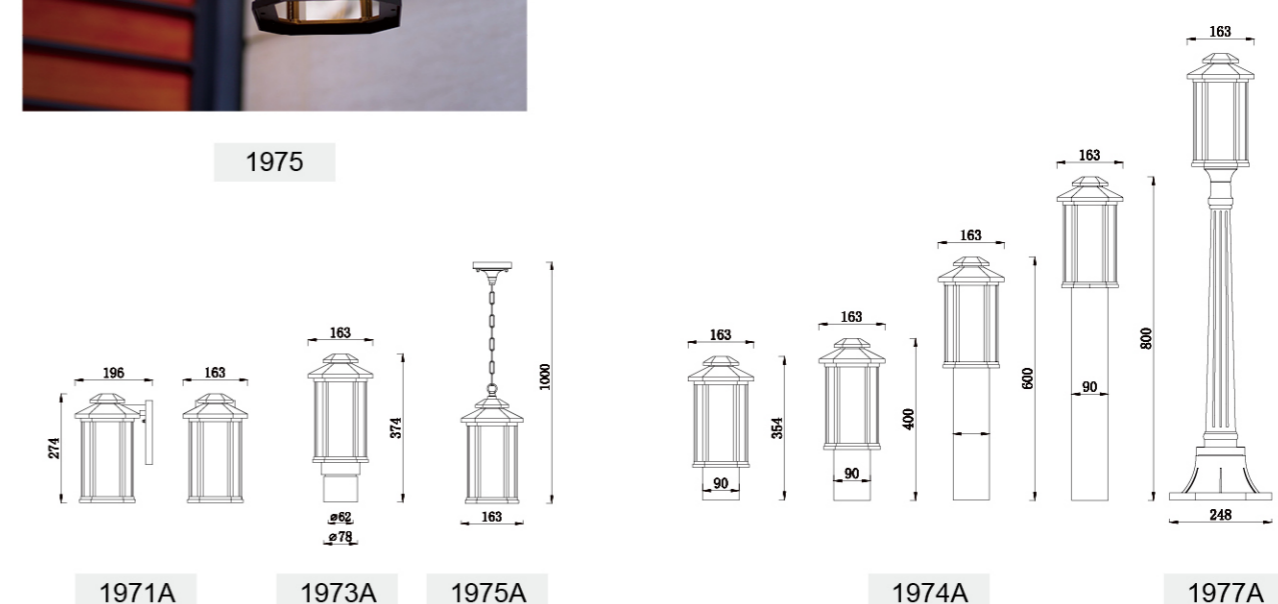
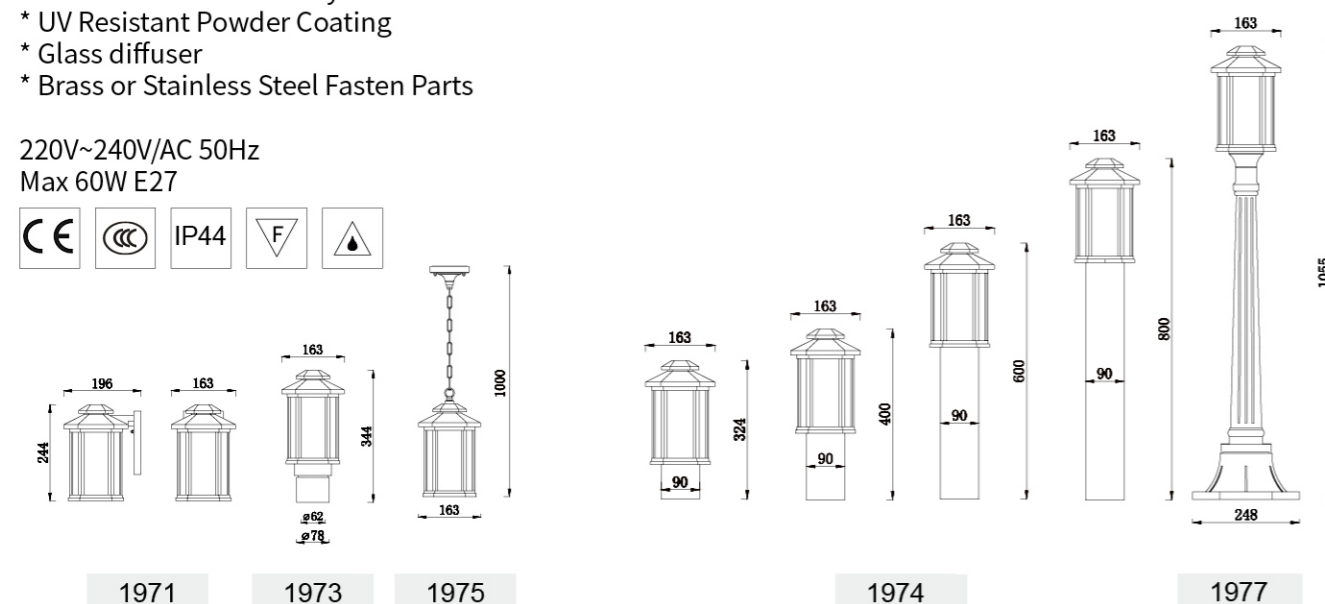


1974A

Product feature:

- * Die Cast Aluminum Body
- * UV Resistant Powder Coating
- * Glass diffuser
- * Brass or Stainless Steel Fasten Parts

220V~240V/AC 50Hz
 Max 60W E27





1981



1981



1983



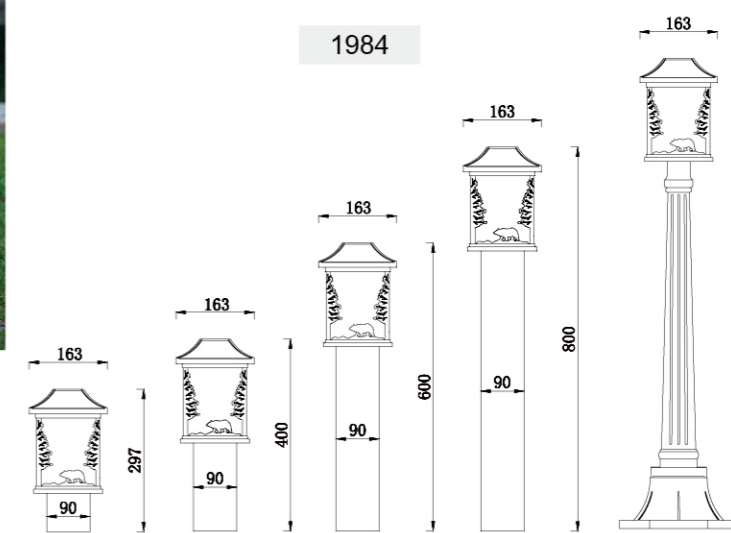
1984



1985



1984



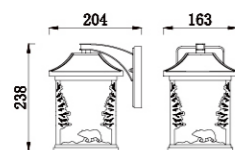
1984

1987

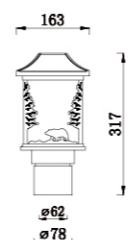
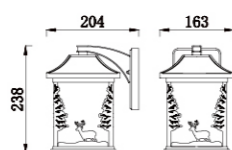
Product feature:

- * Die Cast Aluminum Body
- * UV Resistant Powder Coating
- * Glass diffuser
- * Brass or Stainless Steel Fasten Parts

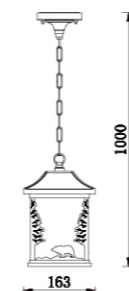
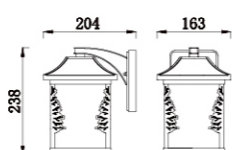
220V~240V/AC 50Hz
 Max 60W E27



1981



1983



1985



1804



1805



1804

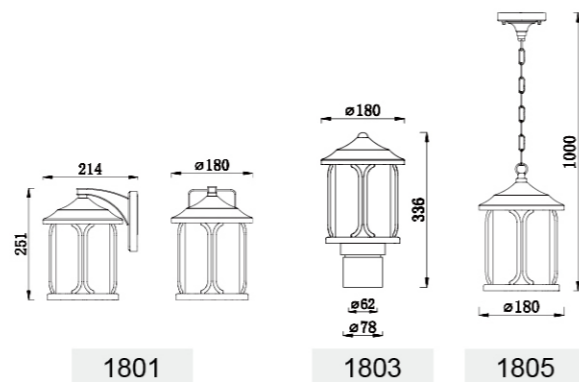
1807

1803

Product feature:

- * Die Cast Aluminum Body
- * UV Resistant Powder Coating
- * Glass diffuser
- * Brass or Stainless Steel Fasten Parts

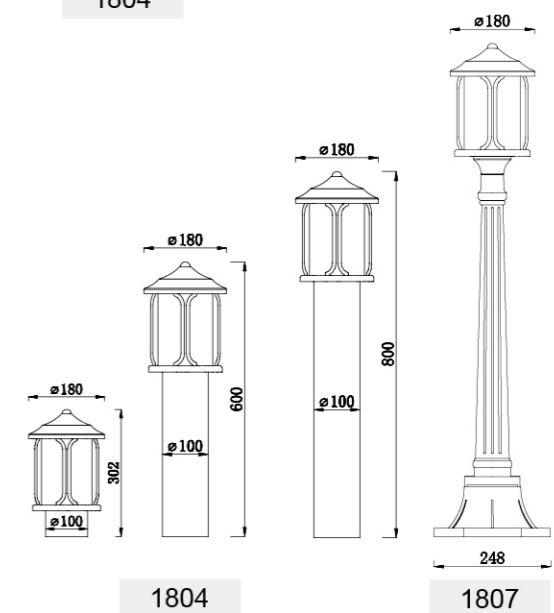
220V~240V/AC 50Hz
 Max 60 W E27



1801

1803

1805



1804

1807



1814



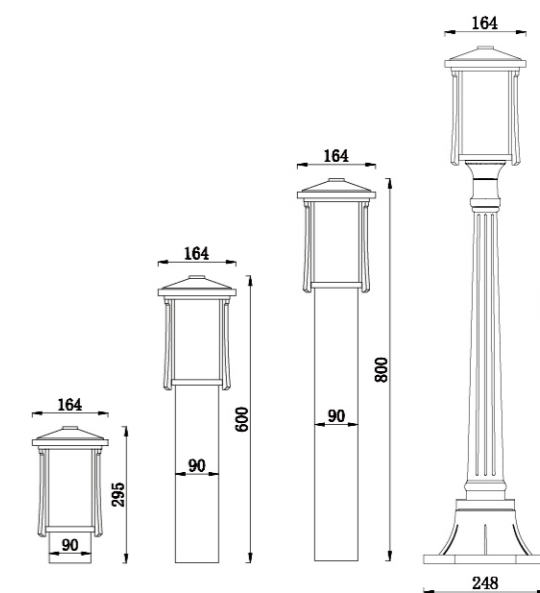
1814

1817

1813

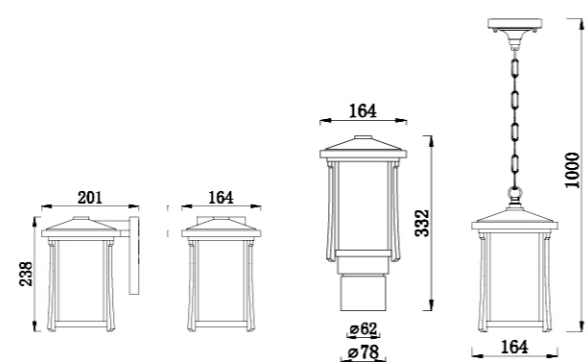


1815



1814

1817



1811

1813

1815

Product feature:

- * Die Cast Aluminum Body
- * UV Resistant Powder Coating
- * Glass diffuser
- * Brass or Stainless Steel Fasten Parts

220V~240V/AC 50Hz
 Max 60 W E27





1825A



1827

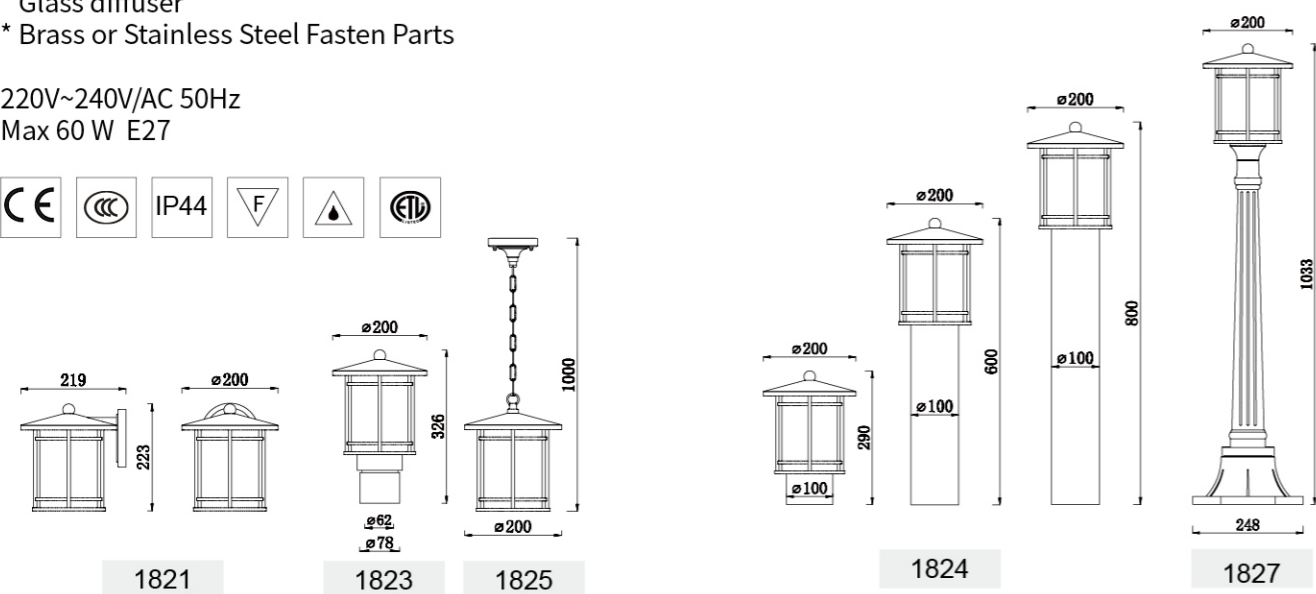
1823

1824

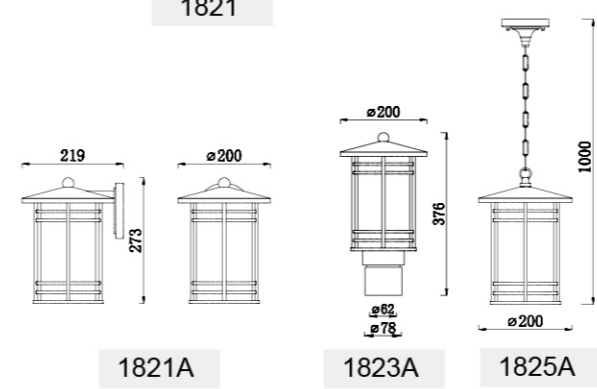
Product feature:

- * Die Cast Aluminum Body
- * UV Resistant Powder Coating
- * Glass diffuser
- * Brass or Stainless Steel Fasten Parts

220V~240V/AC 50Hz
 Max 60 W E27



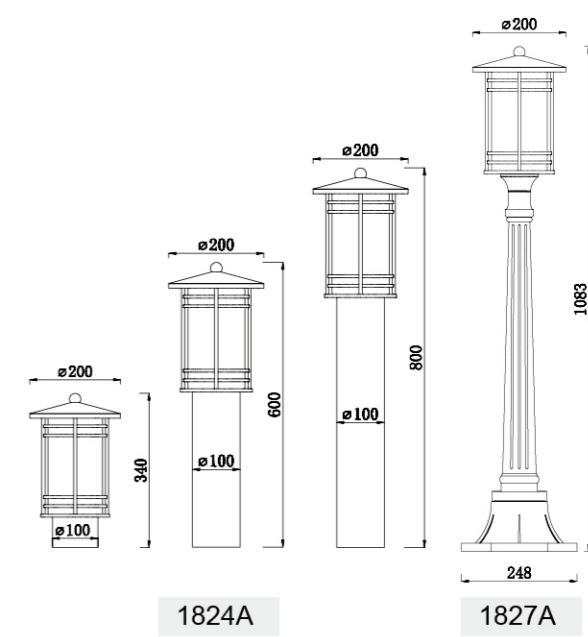
1821



1821A

1823A

1825A



1824A

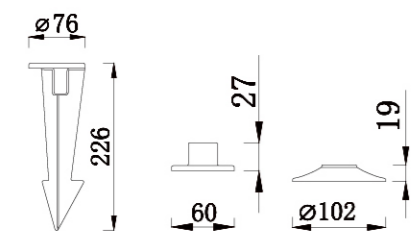
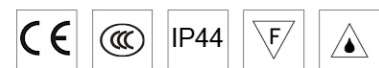
1827A



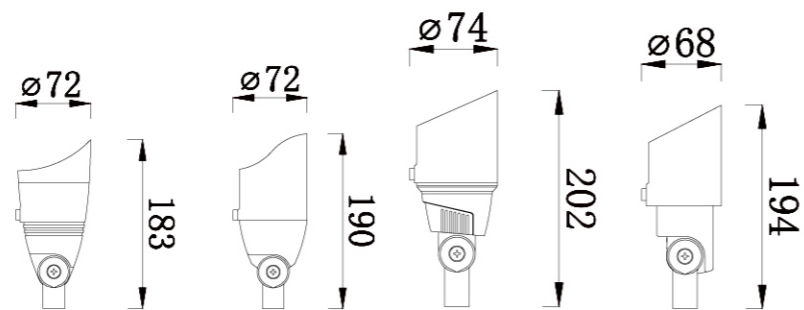
Product feature:

- * Die Cast Aluminum Body
- * UV Resistant Powder Coating
- * Glass diffuser
- * Brass or Stainless Steel Fasten Parts

12V
 Max 20W MR11



P001 P002 P003



H001 H002 H003 H004



H001



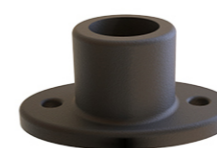
H003



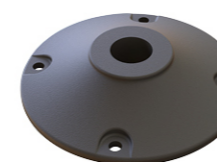
H004



P001



P002



P003



H001



H002



H003



H004



T001



T002

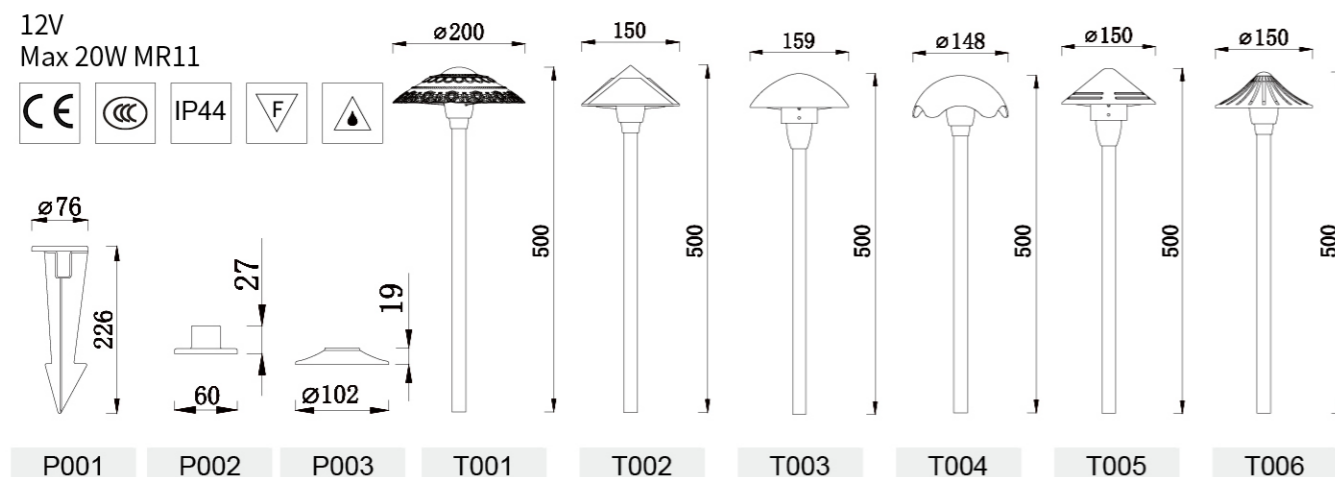


T003

Product feature:

- * Die Cast Aluminum Body
- * UV Resistant Powder Coating
- * Glass diffuser
- * Brass or Stainless Steel Fasten Parts

12V
 Max 20W MR11



P001 P002 P003 T001 T002 T003 T004 T005 T006



T004



T005